



# M62 1200lb Holding Force Magnalock<sup>®</sup>

**Application** - 1200 lb. holding force Magnalock with automatic dual voltage. Recommended for exterior and perimeter doors through which criminals could gain entrance to cause substantial economic loss.

## Features and Benefits

- Patented instant release circuit - no residual magnetism
- Fully sealed electronics - tamper proof and weatherproof
- Mounted using steel machine screws into blind finishing nuts
- Architectural brushed stainless steel finish (US32D/630)
- All ferrous metal surfaces plated to MLL specification
- Hardware accessories available to configure any opening type include mounting brackets, housings and dress covers
- Ten feet [3.05m] of jacketed, stranded conductor
- Automatic dual voltage - no field adjustment required
- Lock options include *BondSTAT magnetic bond sensor, integrated door position switch, conduit fitting, double and face mount models*
- Universal threaded conduit fitting is 1/2" female - 3/4" male
- *Split strike plates* and *Offset strike plates* available (see page 11)
- UL Listed

## Specification Data

Holding Force: 1,200 lbs. [544 Kg.]  
 Current Draw and Voltage: 250mA at 12VDC; 125mA at 24VDC  
 Operating Temperature: -40 to +140F [-40 to +60C]  
 Shipping Weight: 11 lbs.  
 Warranty: MagnaCare Lifetime Replacement Warranty

## How To Order

Part #	Description
M62	Magnalock Model 62
M62F	M62, Face Mount
M62FG	M62, Face Mount, Conduit
M62FGB	M62, Face Mount, Conduit, Mag Bond Sensor
M62FGBD	M62, Face Mount, Conduit, Bond Sensor, Door Position Switch
M62FGD	M62, Face Mount, Conduit, Door Position Switch
M62FD	M62, Face Mount, Door Position Switch
M62G	M62, Conduit
M62GB	M62, Conduit, Mag Bond Sensor
M62GBD	M62, Conduit, Mag Bond Sensor, Door Position Switch
M62GD	M62, Conduit, Door Position Switch
M62B	M62, Mag Bond Sensor
M62FB	M62, Face Mount, Mag Bond Sensor
M62FBD	M62, Face Mount, Mag Bond Sensor, Door Position Switch
M62BD	M62, Mag Bond Sensor, Door Position Switch
M62D	M62, Door Position Switch

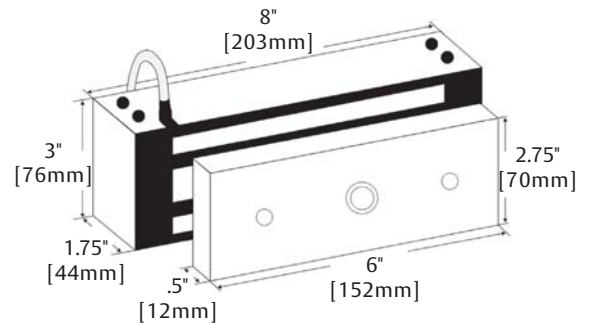
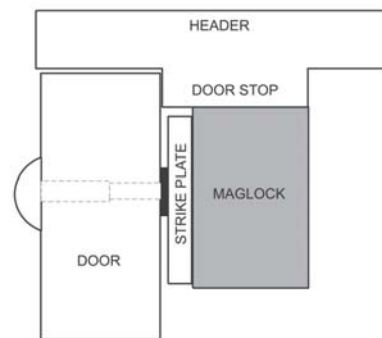
## Optional M62 Brackets & Accessories

Prefix	Description	Prefix	Description	Prefix	Description
ASB	Aluminum Spacer Bracket	UHB	Universal Header Bracket	ZA	Adjustable Z-Bracket Kit
SFP	Stop Filler Plate	HEB	Header Extension Bracket	Z	Fixed Z-Bracket Kit
CWB	Concrete Wood Bracket	GDB	Glass Door Bracket	DC	Dress Cover

U.S. Patents:  
 #4,516,114 and #4,682,801  
 NEMA: 4X IEC: IP 66



M62F Shown



The M62 requires 2.5 inches of flat mounting space



See Magnalock brackets and accessories for the M62 beginning on page 15