



## GL1 2000 lb. Gate Lock

**Application** - The GL1 Electromechanical Gate Lock is designed to secure a wide variety of vehicle and pedestrian gate applications where security and weather resistance are required. The GL1 functions equally well in both electrically and manually operated gate installations and can be used for swing gates, sliding gates, stock cage gates or other applications.

### Features and Benefits

- 2,000 lbs. holding force
- Operates under preload up to 100 lbs
- Automatic dual voltage - no field adjustment required
- Fail Secure convertible to Fail Safe
- Manual key override (right or left hand)
- Self-aligning receiver (+/- 1/2" horizontally and vertically) helps compensate for gate misalignment and sag
- Includes latch status monitor
- Tamper proof cast aluminum housing
- Heavy wall 1/2" inside diameter threaded steel coupling
- Hardened steel latch
- Surface mount
- Black powder coated finish
- Weather resistant

### Specification Data

Holding Force: 2000 lbs. [907Kg.]

Current Draw and Voltage:

12 Volts Initial (Peak): (~1.0 sec.) @ 870 mA - Reduced: 290 mA

Power Consumption: 3.5 Watts

24 Volts Initial (Peak): (~1.0 sec.) @ 720 mA - Reduced: 170 mA

Power Consumption: 4.1 Watts

Operating Temperature: -58 to +167F [-50 to +75C]

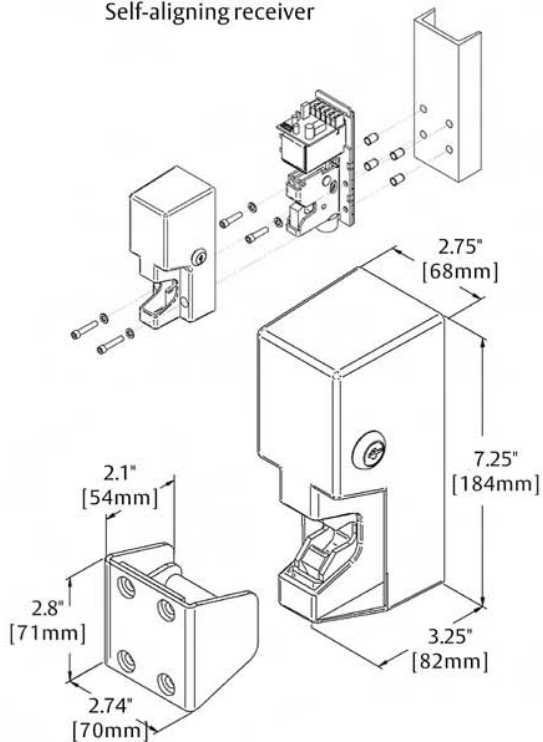
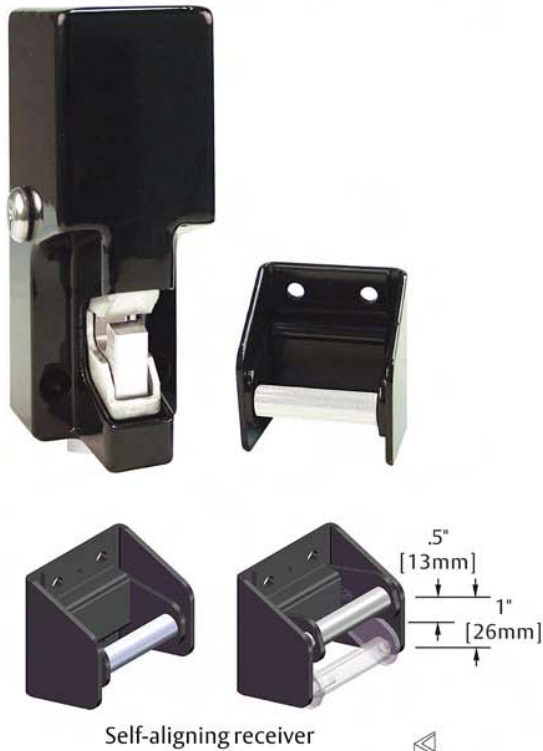
Shipping Weight: 6 lbs.

Warranty: MagnaCare Lifetime Replacement Warranty

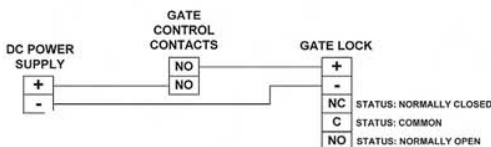
### How To Order

Part #	Description
GL1	Gate Lock 2000 lbs

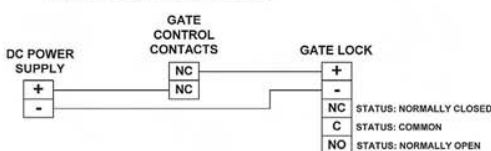
*GL1 Patent Pending*



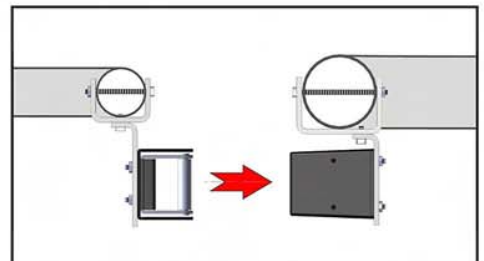
#### FAIL SECURE SYSTEM CONNECTIONS



#### FAIL SAFE SYSTEM CONNECTIONS



Typical Sliding Gate Application



Typical Swinging Gate Application

