

System Controller

LKD1000 is a diverse system controller that controls Cameras, DVR, Multiplexer and other devices by using RS485 communication.

This keyboard can control up to 256 cameras and other serially controlled devices such as multiplexers and DVRs simultaneously.

It offers powerful system compatibility with multiple protocols.

A maximum of 16 keyboards can be connected simultaneously and controlled from different places.



SYSTEM CONTROLLER

LKD1000

Features

- Compatible with PTZ domes and Zoom cameras and DVRs (LE3116D, LE3108D, LDV-S504, LDV-S503)
- User-friendly Graphic User Interface
- 128 Preset positions
- 8 Privacy Zone masking
- Ergonomics design
- Easy Firmware upgrade
- Up to 16 Controllers can be connected together

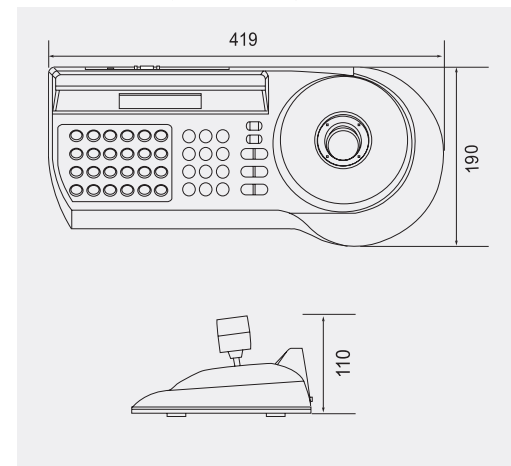
Specifications

Model	LKD1000
Communication	RS-485 RJ11 Interface (2 Ports)
Baud Rate	1,200 / 2,400 / 4,800 / 9,600 / 19,200 / 38,400 / 57,600 / 112,500 bps
Joy-Stick Type	3-Axis
Control	256 Camera ID / Protocol Selection / Alarm Control
	Pan / Tilt / Zoom / Iris Focus
	128 Positions Preset Touring
	8 Positions Auto Panning
	4 Pattern Setting
	Privacy Zone Masking (8 zones)
Firmware Update	RS-232C
Total Key Number	44
Password	6 Digits
Display	4 Gray Graphic LCD (256 x 72 dots)
Operation Temp. / Humidity	-10 °C -50 °C / 0%RH - 80%RH
Storage Temp. / Humidity	-20 °C -60 °C / 0%RH - 85%RH
Supplied Voltage	DC12V
Power Consumption	1.5W
Weight	1kg
Dimension(H x V x D)	419 x 110 x 190mm

Side & Rear View



Dimension (unit : mm)



Connection

