



Spec Model	Type	CCD	Total Pixels	Resolution	Min. illumination	DSS	Motion Detection	Wide Burst	Digital Zoom	Sync	Voltage
LS901N-B	NTSC	1/3 Interline	410K	570 lines	0.00003Lux	○	○	X	X8	Internal/External	AC24/DC12V
LS902N-B	NTSC	1/3 Interline	410K	570 lines	0.01Lux	X	○	X	X8	Internal/External	AC24/DC12V
LS901N-B	NTSC	1/3 Interline	410K	570 lines	0.00003Lux	○	○	X	X8	Internal/External	AC24/DC12V
LS903P-B	PAL	1/3 Interline	470K	570 lines	0.00003Lux	○	○	X	X8	Internal/External	AC24/DC12V
LS902P-B	PAL	1/3 Interline	470K	570 lines	0.01Lux	X	○	X	X8	Internal/External	AC24/DC12V
LS901P-B	PAL	1/3 Interline	470K	570 lines	0.00003Lux	○	○	X	X8	Internal/External	AC24/DC12V
LVC-5X701PC	NTSC	Double Density 1/3	410K	540 lines	0.0001Lux	○	○	X	X2	Internal/External	AC24/DC12V
LVC-5X701OC	NTSC	Super 1/3	410K	540 lines	0.0001Lux	○	○	X	X2	Internal/External	AC24/DC12V
LVC-5X701MC	NTSC	Super 1/3	410K	540 lines	0.3Lux	X	○	X	X2	Internal/External	AC24/DC12V
LVC-5X703PC	PAL	Double Density 1/3	470K	540 lines	0.0001Lux	○	○	X	X2	Internal/External	AC24/DC12V
LVC-5X703OC	PAL	Super 1/3	470K	540 lines	0.0001Lux	○	○	X	X2	Internal/External	AC24/DC12V
LVC-5X703MC	PAL	Super 1/3	470K	540 lines	0.3Lux	X	○	X	X2	Internal/External	AC24/DC12V
LVC-5X703PB	PAL	Double Density 1/3	470K	540 lines	0.0001Lux	○	○	X	X2	Internal/External	AC230V
LVC-5X703OB	PAL	Super 1/3	470K	540 lines	0.0001Lux	○	○	X	X2	Internal/External	AC230V
LVC-5X703MB	PAL	Super 1/3	470K	540 lines	0.3Lux	X	○	X	X2	Internal/External	AC230V
LS300N-D1	NTSC	Super 1/3	410K	520 lines	0.4Lux	X	○	X	X	Internal	DC12V
LS300P-D1	PAL	Super 1/3	470K	520 lines	0.4Lux	X	○	X	X	Internal	DC12V
LVC-5X811HM	NTSC	Super 1/3	410K	520 lines	0.1Lux	X	X	X	X	Internal	DC12V / AC24V
LVC-5X811HP	PAL	Super 1/3	470K	520 lines	0.1Lux	X	X	X	X	Internal	DC12V / AC24V
LVC-560HM	NTSC	Super 1/3	410K	480 lines	0.4Lux	X	X	X	X	Internal/Line Lock	DC12V/AC24V
LVC-560HP	PAL	Super 1/3	470K	480 lines	0.4Lux	X	X	X	X	Internal/Line Lock	DC12V/AC24V
LVC-560NM	NTSC	Super 1/3	270K	330 lines	0.4Lux	X	X	X	X	Internal/Line Lock	DC12V/AC24V
LVC-560NP	PAL	Super 1/3	320K	320 lines	0.4Lux	X	X	X	X	Internal/Line Lock	DC12V/AC24V
LVC-520HM	NTSC	Super 1/3	410K	480 lines	0.01Lux	○	○	○	X2	Internal/Line Lock	DC12V/AC24V
LVC-520HP	PAL	Super 1/3	470K	480 lines	0.01Lux	○	○	○	X2	Internal/Line Lock	DC12V/AC24V
LVC-5201HM	NTSC	Super 1/3	410K	480 lines	0.01Lux	○	○	○	X2	Internal/Line Lock	AC100V/AC240V
LVC-5201HP	PAL	Super 1/3	470K	480 lines	0.01Lux	○	○	○	X2	Internal/Line Lock	AC100V/AC240V
LVC-S10HM	NTSC	Super 1/3	410K	480 lines	0.5Lux	X	○	○	X2	Internal/Line Lock	DC12V/AC24V
LVC-S10HP	PAL	Super 1/3	470K	480 lines	0.5Lux	X	○	○	X2	Internal/Line Lock	DC12V/AC24V
LVC-S10NM	NTSC	Super 1/3	270K	330 lines	0.4Lux	X	○	○	X	Internal/Line Lock	DC12V/AC24V
LVC-S10NP	PAL	Super 1/3	320K	320 lines	0.4Lux	X	○	○	X	Internal/Line Lock	DC12V/AC24V
LVC-S101HM	NTSC	Super 1/3	410K	480 lines	0.5Lux	X	○	○	X2	Internal/Line Lock	AC100V/AC240V
LVC-S101HP	PAL	Super 1/3	470K	480 lines	0.5Lux	X	○	○	X2	Internal/Line Lock	AC100V/AC240V
LVC-S101NM	NTSC	Super 1/3	270K	330 lines	0.4Lux	X	○	○	X	Internal/Line Lock	AC100V/AC240V
LVC-S101NP	PAL	Super 1/3	320K	320 lines	0.4Lux	X	○	○	X	Internal/Line Lock	AC100V/AC240V

# LS900 series

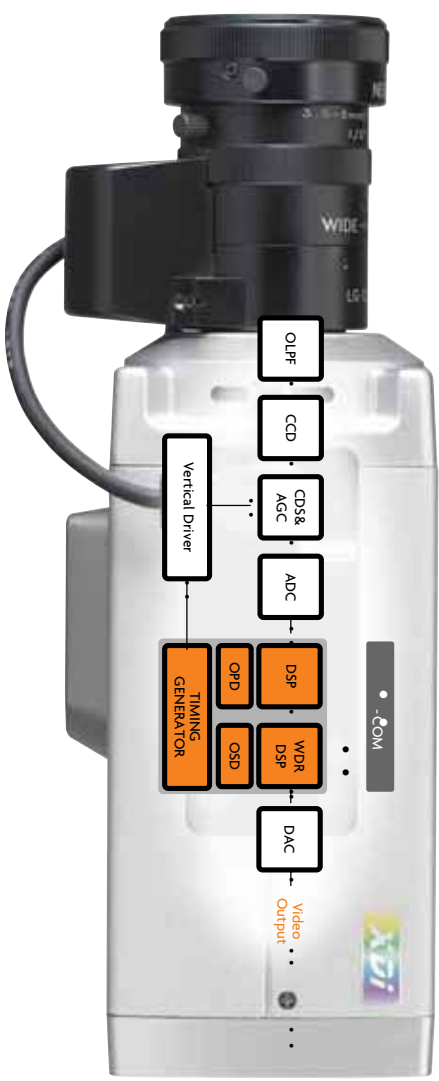


## The first camera to use the XDI Chip.

The LS900 series is by far the best surveillance solution adopting LG's new XDI chip. With an impressive 570 TV Lines Color Resolution, 3D-DNR, low illumination of 0.00003 Lux, HSBC, Advanced WDR, and many more features with top quality, the LS900 series is one of the best security solutions providing high quality image under any circumstances. Also the self control Seamless AE Intelligent Solution will automatically set the camera to the proper settings when changes in environment occurs, freeing users from worries of having to manually control the camera.

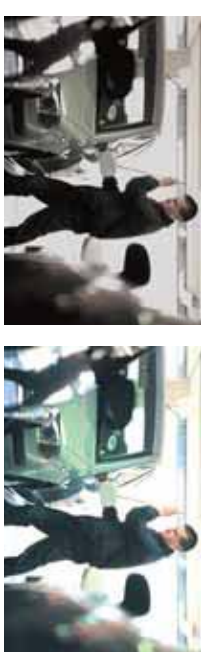
- XDI
- 1/3 Interline CCD
- 570TV Lines
- DSS
- 3D-DNR
- HSBC
- Motion Detection
- 0.00003Lux
- RS 485 Communication
- Auto Filter
- Privacy Zone
- White Balance
- Auto Gain Control
- Dual Voltage DC12V/AC24V
- OSD
- DS 485
- Auto Filter
- Privacy Zone
- AWB
- AGC

### Structure and component of the XDI Chip



### 570 TV Lines

XDI's unique Adaptive Resolution Unit allows 570 TV Lines of high-resolution image, and a clear image even in a low-light environments. \* 570 TV Lines in Color Mode \* 700 TV Lines in B/W Mode



### Advanced WDR

XDI's unique technology, Advanced Fast histogram equalizer/Adaptive LUT/Local Contrast enhancement, allows dark portions of a bright image to be shown clear, enhancing details in the WDR image and removing Noise.



# LS903P-B(PAL)/LS903N-B(NTSC)

## Low Luminance 0.00003 Lux

XDI's unique low luminance technology can detect a subject clearly under poor light level of 0.00003 Lux in B/W mode.



## 3D-DNR (3Dimension-Digital Noise Reduction)

XDI's unique 3D Adaptive Noise Reduction Filter effectively removes the Noise from the image signal, providing a more vivid and clear image. When using the AGC in low-lightings, clear image can be obtained by reducing Noise, and even in darker areas, brighter images can be obtained by using higher AGC.



## HSBLC (Highlight Suppress Back Light Compensation)

XDI's unique Adaptive Luminance Control AE will darken selected highlights and brighten dark portions. In the picture, the number on the car plate can be seen clearly.  
\* White Gray Black



## Seamless AE Intelligent Control

XDI's unique DSS, 3D-DNR, AGC Control Mechanism will detect intruders even in lowest-illumination conditions, by maximizing the brightness of the image and the movement of the object while reducing Noise.



## AWB (Auto White Balance)

XDI's unique Color Matrix Mechanism has a wide White Balance Range to adaptively cope with the change in color temperature from various source of lights. Effective in areas such as an inside of a tunnel or places where colors change periodically.  
\* 1700K - 11000K

## Color Reproduction

XDI's unique Color Matrix Mechanism finds the optimum color matrix according to the change in color temperature, optimizing color selection in various lightings.  
\* Perfect Reproduction for 24 colors in Meebeth Chart

## Motion Detection

LS900 Series can support intelligent motion detection function Up to 8 areas.

## ICR D&N

LS900 series can provide ideal high quality image in both day and night by adopting ICR Day&Night function that notice change of illumination.

## Features

- 570 TV Lines (700 TV Lines in B/W Mode)
- 0.00003 Lux (At B/W Mode) Illumination
- Up to 60dB Wide Dynamic Range
- Digital Slow Shutter
- 3D- Digital Noise Reduction
- HSBLC (Highlight Suppress BLC)
- ICR Day & Night
- Motion Detection
- Private Zone Masking
- On Screen Display
- Sens Up
- RS485 Communication

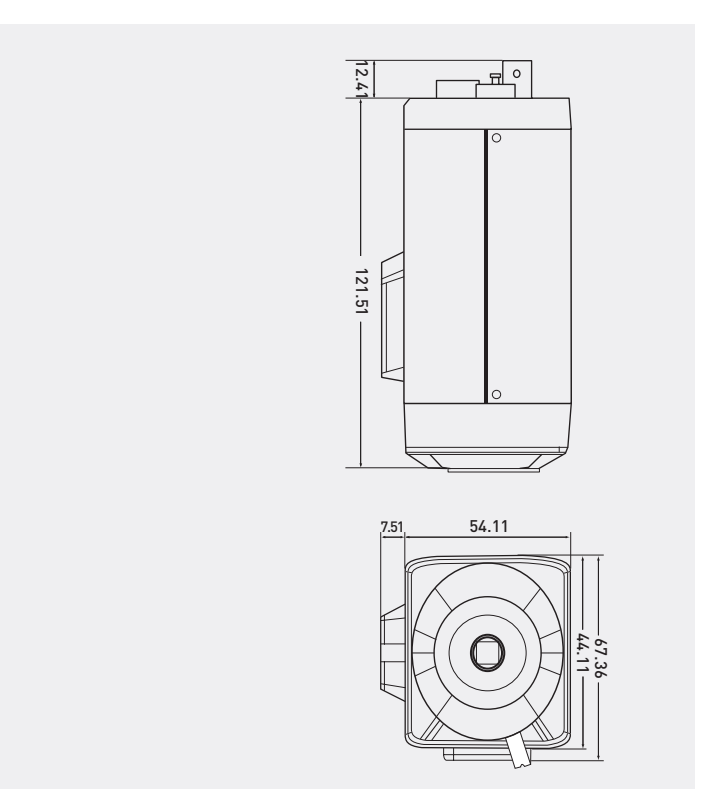
## Specifications

Model	LS903N-B	LS903P-B
Signal System	NTSC	PAL
Total/Effective Pixels No	410K / 380K	470K / 440K
Image Device	1/3" Interline Color CCD	
Lens	C/CS Mount (C mount using adaptor ring)	
Signal Process	LG XDI DSP	
Sync System	Internal / External (Line Lock)	
Scanning Frequency (H)	15.734KHz (NTSC)	15.625KHz (PAL)
Scanning Frequency (V)	59.94 Hz (NTSC)	50 Hz (PAL)
Horizontal Resolution	570 TV Lines (700TV Lines B/W)	
S/N Ratio	More Than 50dB (AGC Off)	
Minimum Illumination	Color : 0.0003 Lux(Sens-up Auto: F1.2) (0.01 Lux : Sens-up off) B/W : 0.00003 Lux(Sens-up Auto: F1.2) (0.01 Lux : Sens-up off)	
Video Output Signal	1V-p Composite (75Ω)	
D&N	ICR D&N	
WDR	60dB	
Common	3D-DNR	
Gain Control	Off / Low / Medium / High	
Shutter Speed	1/60-1/90,000 (NTSC)	1/50-1/90,000 (PAL)
E. Sensitivity	Auto(x1 - x128) / Fix : x2, x4.....x 512	
White Balance	Auto / Push auto / Manual	
M. Detection	4 Area	
P. Masking	8 Zone	
OSD Display	O	
Digital Zoom	X8 (Built in Pan/Tilt)	
HSBLC	O	
Power Source	DC 12V / AC24V	
Power Consumption	4.4 W	
Operation Temp	-10 °C - 50 °C / 0%RH - 80%RH	
Storage Temp	-20 °C - 60 °C / 0%RH - 85%RH	
Weight	420 g	
Dimension (H x V x D)	68X 61.5 X 122mm	

## Side & Rear View



## Dimension (unit : mm)



# LS902P-B(PAL)/LS902N-B(NTSC)

**Features**

- 570 TV lines (700TV Lines in B/W Mode)
- 0.01 Lux (At B/W Mode) Illumination
- Up to 60dB Wide Dynamic Range
- 3D- Digital Noise Reduction
- ICR Day & Night (LS902P-B)
- Digital Day & Night (LS902P-B1)
- Motion Detection
- Private Zone Masking
- On Screen Display
- RS 485 Communication

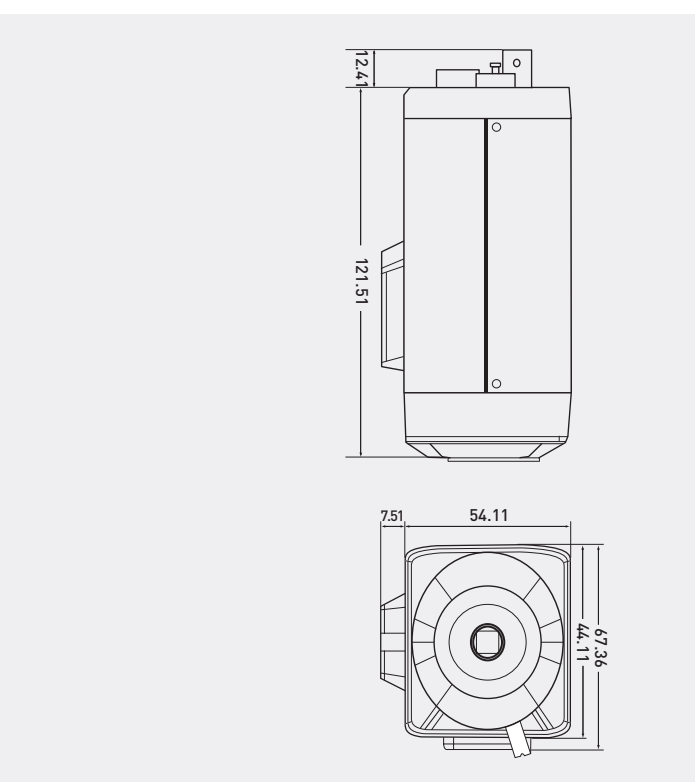
**Specifications**

Model	LS902N-B	LS902P-B
Signal System	NTSC	PAL
Total/Effective Pixels No	410K / 380K	470K / 440K
Image Device	1/3" Interline Color CCD	C/CS Mount (C mount using adaptor ring)
Lens	LG XDI DSP	LG XDI DSP
Signal Process	Internal / External (Line Lock)	Internal / External (Line Lock)
Sync System	15.734KHz (NTSC)	15.625KHz (PAL)
Scanning Frequency (H)	59.94 Hz (NTSC)	50 Hz (PAL)
Scanning Frequency (V)	570 TV Lines (700TV Lines B/W)	570 TV Lines (700TV Lines B/W)
Horizontal Resolution	More Than 50dB (AGC Off)	Color Mode : 0.1 Lux(F1.2) B/W Mode : 0.01 Lux(F1.2)
S/N Ratio	Minimum Illumination	Minimum Illumination
Video Output Signal	D&N	TV-p Composite (75Ω) ICR D&N
WDR	Common	60dB 3D-DNR
Gain Control	Shutter Speed	Off / Low / Medium / High 1/60-1/90,000 (NTSC)    1/50-1/90,000 (PAL)
E. Sensitivity	White Balance	Auto / Push auto / Manual
M. Detection	P. Masking	4 Area 8 Zone
OSD Display	Digital Zoom	O X8 (Built in Pan/Tilt)
HSBLC	Power Source	X DC 12V / AC24V
Power Consumption	Operation Temp	4.4 W -10 °C - 50 °C / 0%RH - 80%RH
Storage Temp	Weight	-20 °C - 60 °C / 0%RH - 85%RH 420 g
Dimension (H x V x D)		68X 61.5 X 122mm

**Side & Rear View**



**Dimension (unit : mm)**



# LS901P-B(PAL)/LS901N-B(NTSC)

**Features**

- 570 TV lines (700 TV Lines in B/W Mode)
- Digital Slow Shutter
- 0.00003 Lux (At B/W Mode) Illumination
- HSBLC (Highlight Suppress BLC)
- 3D- Digital Noise Reduction
- Sens Up
- ICR Day & Night (LS901P-B)
- Digital Day & Night (LS901P-B1)
- Motion Detection
- Private Zone Masking
- On Screen Display
- RS 485 Communication

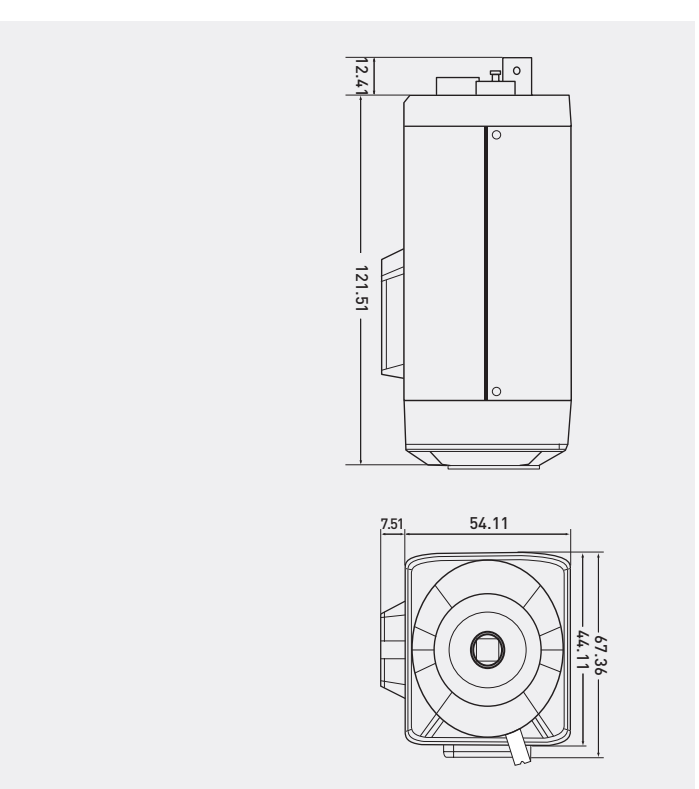
**Specifications**

Model	LS901N-B	LS901P-B
Signal System	NTSC	PAL
Total/Effective Pixels No	410K / 380K	470K / 440K
Image Device	1/3" Interline Color CCD	C/CS Mount (C mount using adaptor ring)
Lens	LG XDI DSP	LG XDI DSP
Signal Process	Internal / External (Line Lock)	Internal / External (Line Lock)
Sync System	15.734KHz (NTSC)	15.625KHz (PAL)
Scanning Frequency (H)	59.94 Hz (NTSC)	50 Hz (PAL)
Scanning Frequency (V)	570 TV Lines (700TV Lines B/W)	570 TV Lines (700TV Lines B/W)
Horizontal Resolution	More Than 50dB (AGC Off)	Color : 0.0003 Lux(Sens-up Auto, F1.2) (0.1 Lux : Sens-up off) B/W : 0.00003 Lux(Sens-up Auto, F1.2) (0.01 Lux : Sens-up off)
S/N Ratio	Minimum Illumination	Minimum Illumination
Video Output Signal	D&N	TV-p Composite (75Ω) ICR D&N
WDR	Common	X 3D-DNR
Gain Control	Shutter Speed	Off / Low / Medium / High 1/60-1/90,000 (NTSC)    1/50-1/90,000 (PAL)
E. Sensitivity	White Balance	Auto(x1 - x128) / Fix : x2, x4, ..., x 512 Auto / Push auto / Manual
M. Detection	P. Masking	4 Area 8 Zone
OSD Display	Digital Zoom	O X8 (Built in Pan/Tilt)
HSBLC	Power Source	O DC 12V / AC24V
Power Consumption	Operation Temp	4.4 W -10 °C - 50 °C / 0%RH - 80%RH
Storage Temp	Weight	-20 °C - 60 °C / 0%RH - 85%RH 420 g
Dimension (H x V x D)		68X 61.5 X 122mm

**Side & Rear View**



**Dimension (unit : mm)**



# LVC-SX700 series



The LVC-SX700 series high resolution Day & Night camera realizes genuine outstanding resolution of 540TV lines. The high resolution color images during the day and equally high quality images at night, intelligent motion detection, privacy masking and on-screen display for easy set are all supplied with the LVC-SX700 series. Designed to make use of the AC230V power source, LVC-SX703PB, LVC-7030B and LVC-SX703MB can directly be plugged into the receptacle. Others, both AC24V and DV12V are available with the use of power adapter.



## WDR (Wide Dynamic Range)

The WDR technology helps to get detailed information from the dark part without saturation from the bright part. It combines two fields which are high shutter speed exposure in bright areas and low shutter speed exposure in dark areas into one composite image.



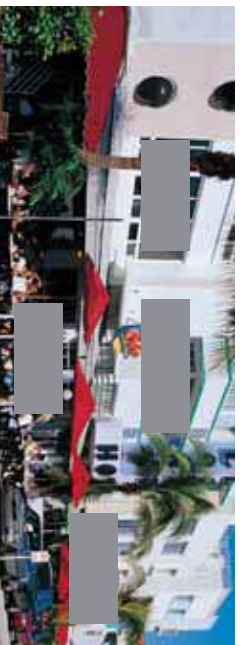
## Day & Night

Lighting conditions are no longer a consideration with Day & Night function. In low light, it converts the image from color to monochrome automatically.



## Privacy Zone

For the protection of privacy, users can set a masking area not to be under surveillance.



## Motion Detection

This feature is useful when user has to monitor several screens simultaneously. The area zone can be assigned by OSD setting with the sensitivity control.



## D&N CAMERA

LVC-SX703PC(PAL) / LVC-SX701PC(NTSC)  
LVC-SX703PB(PAL, 230V)

### Features

- 540 TV lines of horizontal resolution
- ICR Day & Night
- WDR by Dual Shutter
- Digital Slow Shutter
- Motion Detection (Isolation MOS Relay OUT)
- Multi Language OSD
- CS Mount (C Mount Using Adaptor Ring)
- DC / Video / ELC Iris Lens Available
- DC 12V / AC24V (PAL : LVC-SX703PC)  
DC 12V / AC24V (NTSC : LVC-SX701PC)  
AC 230V (PAL : LVC-SX703PB)
- Privacy Zone Masking (8 zones)
- RS-485 Communication

### Specifications

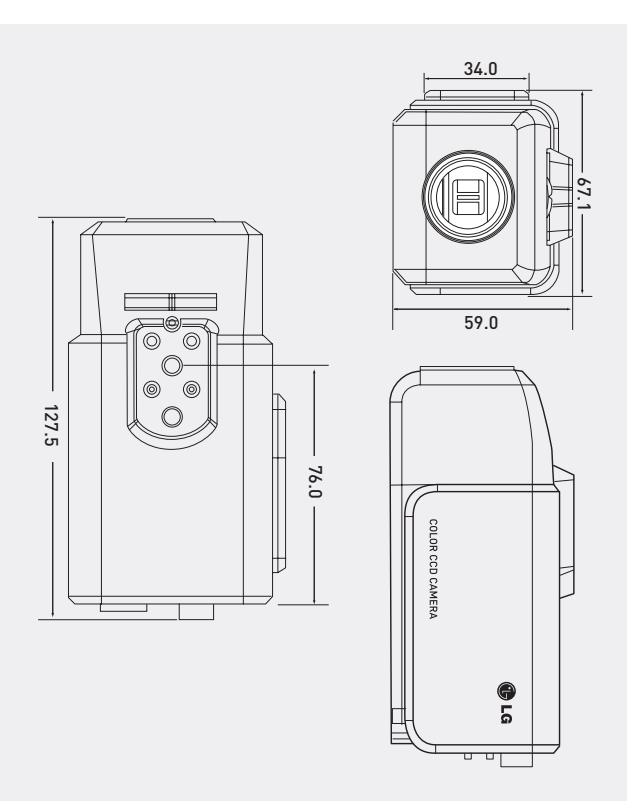
Model	LVC-SX701PC	LVC-SX703PC LVC-SX703PB
Signal System	NTSC	PAL
Total Pixel No.	81(H) X 508(V)	795(H) X 596(V)
Image Device	1/3" Double Density	1/3" Double Density
Lens	CS Mount (C mount using adaptor ring)	DC / ELC / VIDEO Selectable
Iris Control	Internal / External (Line Lock)	
Synchronization System	15.734 KHz	15.625 KHz
Scanning Frequency(H)	59.94 Hz	50 Hz
Scanning Frequency(V)		
Horizontal Resolution	540 TV Lines	
S/N Ratio	More Than 52dB (AGC Off)	
Minimum Illumination	Color Mode : 0.001 (0.3) Lux (DSS OFF) B/W Mode : 0.0001 (0.02) Lux (DSS OFF)	
Video Output Signal	TV-p Composite (75Ω)	
Control Method	RS 485	
Auto Gain Control	Off / Low / Medium / High	
Day & Night	Day / Night / Auto / EXT	
Electronic Shutter	1/60 - 1/100,000 (Auto Model) / 1/50 - 1/100,000 (Auto Model)	
White Balance	Auto / Push Auto / Manual	
Electronic Sensitivity	Auto / Fix : x2, x4, ..., x128, x320 (13 steps)	
Motion Detection	On / Off	
Privacy Zone Masking	8 Zones	
Multi OSD Language	English, Japanese, Chinese, Russian, Korean	
Power Source	DC12V / AC 24V	DC12V / AC 24V, AC230V*
Power Consumption	6 W	
Operation Temp. / Humidity	-10 °C - 50 °C / 0%RH - 80%RH	
Storage Temp. / Humidity	-20 °C - 60 °C / 0%RH - 85%RH	
Weight	250 g	
Dimension(H x V x D)	67.1 X 59 X 127.5mm	

\*LVC-SX703PB

### Side & Rear View



### Dimension (unit : mm)



# LVC-SX7030C(PAL) / LVC-SX7010C(NTSC) LVC-SX7030B(PAL, 230V)

**Features**

- 540 TV lines of horizontal resolution
- ICR Day & Night
- Digital Slow Shutter
- Motion Detection (Isolation MOS Relay OUT)
- Multi Language OSD
- CS Mount (C Mount Using Adaptor Ring)
- DC/Video/ELC Iris Lens Available
- DC 12V / AC24V (PAL : LVC-SX7030C)  
DC 12V / AC24V (NTSC : LVC-SX7010C)  
AC 230V (PAL : LVC-SX7030B)
- Privacy Zone Masking (8 zones)
- RS-485 Communication

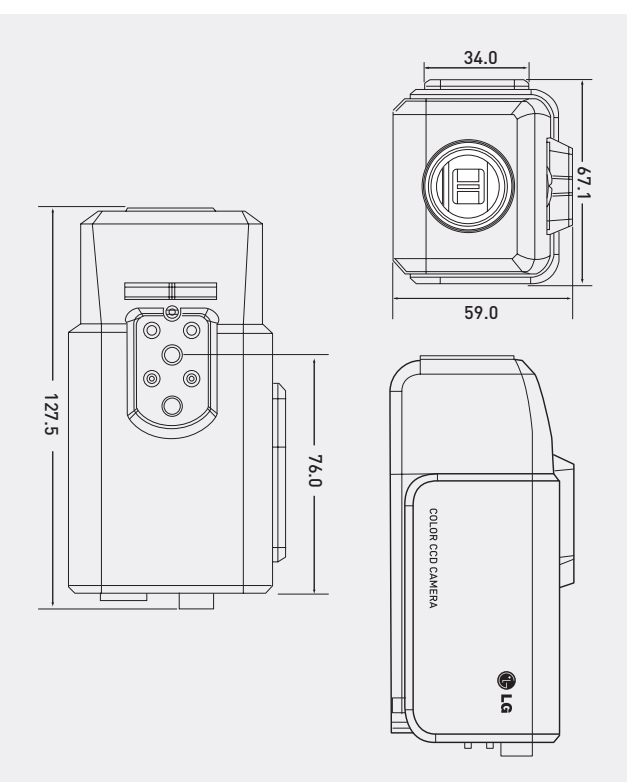
**Specifications**

Model	LVC-SX7010C	LVC-SX7030C LVC-SX7030B
Signal System	NTSC	PAL
Total Pixels No.	811(H) X 508(V)	795(H) X 596(V)
Image Device	1/3" Super HAD CCD	
Lens	CS Mount (C mount using adaptor ring)	
Iris Control	DC / ELC / VIDEO Selectable	
Synchronization System	Internal / External (Line Lock)	
Scanning Frequency(H)	15,734 KHz	15,625 KHz
Scanning Frequency(V)	59.94 Hz	50 Hz
Horizontal Resolution	540 TV Lines	
S/N Ratio	More Than 52dB (AGC Off)	
Minimum Illumination	Color Mode : 0.001 (0.3) Lux (DSS OFF) B/W Mode : 0.0001 (0.02) Lux (DSS OFF)	
Video Output Signal	TV-p Composite (75Ω)	
Control Method	RS 485	
Auto Gain Control	Off / Low / Medium / High	
Day & Night	Day / Night / Auto / EXT	
Electronic Shutter	1/60 - 1/100,000 (Auto Mode)	1/50 - 1/100,000 (Auto Mode)
White Balance	Auto / Push Auto / Manual	
Electronic Sensitivity	Auto / Fix : x2, x4, ..., x128, x320 (13 steps)	
Motion Detection	On / Off	
Privacy Zone Masking	8 Zones	
Multi OSD Language	English, Japanese, Chinese, Russian, Korean	
Power Source	DC12V / AC 24V	DC12V / AC 24V, AC230V*
Power Consumption	6 W	
Operation Temp. / Humidity	-10 °C - 50 °C / 0%RH - 80%RH	
Storage Temp. / Humidity	-20 °C - 60 °C / 0%RH - 85%RH	
Weight	250 g	
Dimension(H x V x D)	67.1 X 59 X 127.5mm	

\*LVC-SX7030B



**Dimension (unit : mm)**



# LVC-SX703MC(PAL) / LVC-SX701MC(NTSC) LVC-SX703MB(PAL, 230V)

**Features**

- 540 TV lines of horizontal resolution
- ICR Day & Night
- Motion Detection (Isolation MOS Relay OUT)
- Multi Language OSD
- CS Mount (C Mount Using Adaptor Ring)
- DC/Video/ELC Iris Lens Available
- DC 12V / AC24V (PAL : LVC-SX703MC)  
DC 12V / AC24V (NTSC : LVC-SX701MC)  
AC 230V (PAL : LVC-SX703MB)
- Privacy Zone Masking (8 zones)
- RS-485 Communication

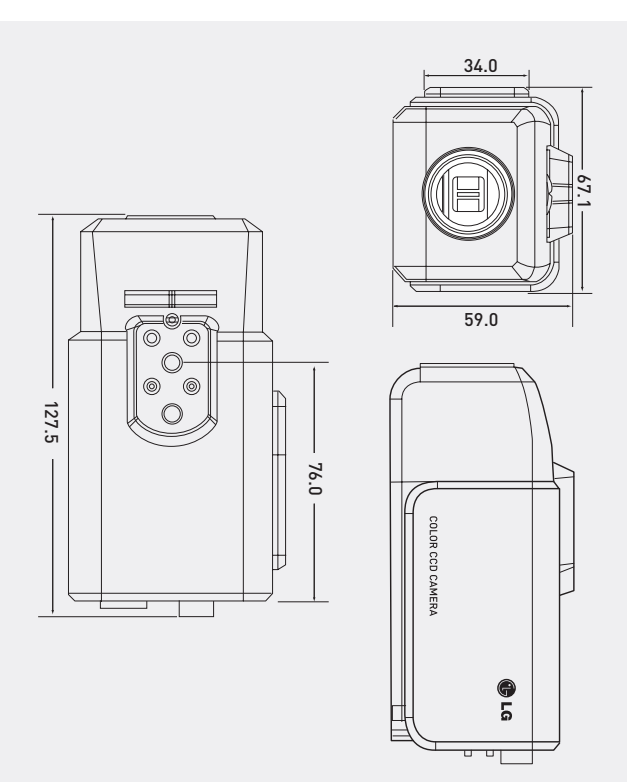
**Specifications**

Model	LVC-SX701MC	LVC-SX703MC LVC-SX703MB
Signal System	NTSC	PAL
Total Pixels No.	811(H) X 508(V)	795(H) X 596(V)
Image Device	1/3" Super HAD CCD	
Lens	CS Mount (C mount using adaptor ring)	
Iris Control	DC / ELC / VIDEO Selectable	
Synchronization System	Internal / External (Line Lock)	
Scanning Frequency(H)	15,734 KHz	15,625 KHz
Scanning Frequency(V)	59.94 Hz	50 Hz
Horizontal Resolution	540 TV Lines	
S/N Ratio	More Than 52dB (AGC Off)	
Minimum Illumination	Color Mode : 0.001 (0.3) Lux (DSS OFF) B/W Mode : 0.0001 (0.02) Lux (DSS OFF)	
Video Output Signal	TV-p Composite (75Ω)	
Control Method	RS 485	
Auto Gain Control	Off / Low / Medium / High	
Day & Night	Day / Night / Auto / EXT	
Electronic Shutter	1/60 - 1/100,000 (Auto Mode)	1/50 - 1/100,000 (Auto Mode)
White Balance	Auto / Push Auto / Manual	
Electronic Sensitivity	Auto / Fix : x2, x4, ..., x128, x320 (13 steps)	
Motion Detection	On / Off	
Privacy Zone Masking	8 Zones	
Multi OSD Language	English, Japanese, Chinese, Russian, Korean	
Power Source	DC12V / AC 24V	DC12V / AC 24V, AC230V*
Power Consumption	6 W	
Operation Temp. / Humidity	-10 °C - 50 °C / 0%RH - 80%RH	
Storage Temp. / Humidity	-20 °C - 60 °C / 0%RH - 85%RH	
Weight	250 g	
Dimension(H x V x D)	67.1 X 59 X 127.5mm	

\*LVC-SX703MB



**Dimension (unit : mm)**



# LVC-SX811 series

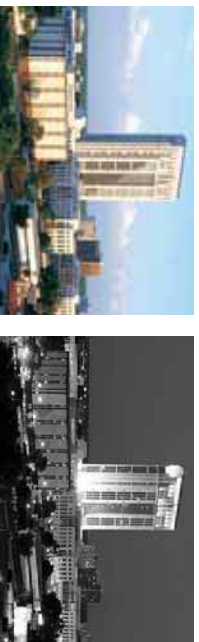


The LVC-SX811 series Day & Night camera realizes genuine high resolution of 520TV lines.  
The high resolution color images during the day and equally high quality images at night for easy set up is supplied with the LVC-SX811 series.  
AC24V and DV12V are available with the use of power adapters.



## Day & Night

Lighting conditions are no longer a consideration with Day & Night function. In low light, it converts the image from color to monochrome automatically.



## BLC (Back Light Compensation)

It allows the camera to find the best picture conditions in any environment and automatically give the necessary light level compensation, so that users can always obtain a clear picture, the finest detail and perfect light contrast.



## Dual Voltage

The units accept either AC 24V or DC 12V power sources and will automatically switch to the appropriate mode upon receiving power.

## D&N CAMERA

# LVC-SX811HP(PAL)/LVC-SX811HM(NTSC)

### Features

- 520 TV Lines of Horizontal Resolution
- 1/3" Super HAD CCD
- ICR Day & Night
- Low Illumination : 0.4 Lux(F1.0, Color Mode) 0.1 Lux(F1.0, B/W Mode)
- White Balance : ATW / AWC(Push Auto White Balance)
- Excellent Signal-to-Noise ratio of 50dB
- Available C/CS Mount Lenses
- DC12V / AC24V

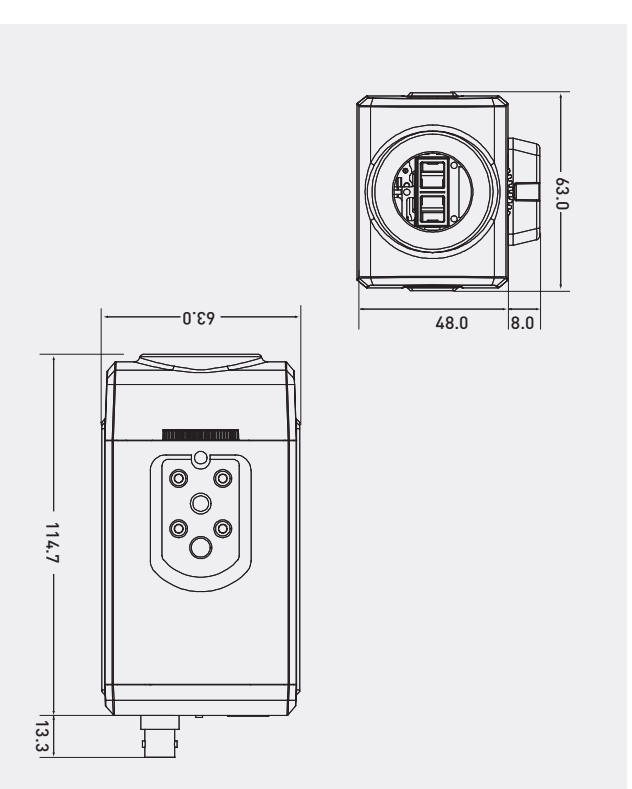
### Specifications

Model	LVC-SX811HM	LVC-SX811HP
Signal System	NTSC	PAL
Total/Effective Pixels	410K / 380K	470K / 440K
Pick-up Device	1/3" Super HAD CCD	C / CS Mount
Lens	(Adaptor ring for C Mount lens : optional )	
Iris Control	DC / ELC / Video	
Signal Process	Digital Signal Process	
Scanning System	2:1 Interlace	
Sync System	Internal	
Scanning Frequency	59.94 Hz (VD)	50 Hz (VD)
Horizontal Resolution	520 TV Lines	
S/N Ratio	More Than 50dB (AGC Off)	
Standard Illumination	2000 Lux ( 3200 *K )	
Sensitivity (1/3 Output)	Color Mode : 0.4 Lux(F1.0) B/W Mode : 0.1 Lux (F1.0)	
Video Output Signal	Vp-p Composite (75Ω)	
Day & Night	Auto / Manual / EXT	
Back Light	On / Off	
Gain Control	On (30dB) / Off (10dB )	
Flickerless	On / Off	
White Balance	ATW / AWC (Push Auto White Balance )	
Exposure	Automatic control with DC Iris meter / Video Iris / Auto Electronic Shutter Iris (Max 1/100,000)	
Power Source	DC 12V / AC24V	
Power Consumption	Less than 3.5 W	
Operation Temp	-10°C - 50°C, 0%RH-60%RH	
Storage Temp	-20°C - 60°C, 0%RH-85%RH	
Weight	300g	
Dimension (H x V x D)	63.0(H) X 48.0(V) X 114.7(D)	

### Side & Rear View



### Dimension (unit : mm)

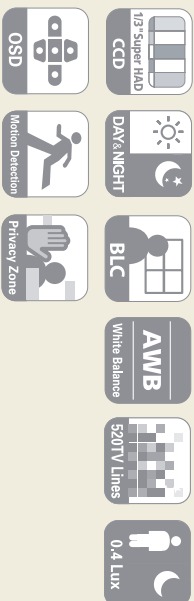


# LS300 series



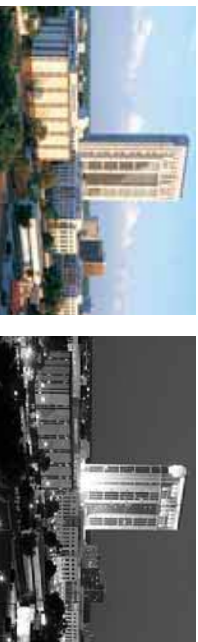
(Design not fixed)

The LS300 series Day & Night camera realizes genuine high resolution of 520TV lines. The high resolution color images during the day and equally high quality images at night for easy set is supplied with the LS300 series.



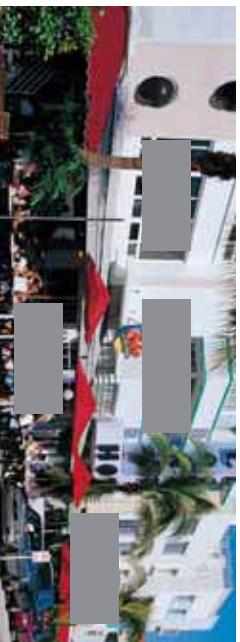
## Day & Night

Lighting conditions are no longer a consideration with Day & Night function. In low light, it converts the image from color to monochrome automatically.



## 4 Region Private Zone Masking

For the protection of privacy, users can set a masking area not to be under surveillance.



## BLC (Back Light Compensation)

It allows the camera to find the best picture conditions in any environment and automatically give the necessary light level compensation, so that users can always obtain a clear picture, the finest detail and perfect light contrast.



## 64 Region Motion Detection

This feature is useful when user has to monitor several screens simultaneously. The area zone can be assigned by OSD setting with the sensitivity control.



## D&N CAMERA

# LS300P-D1(PAL) / LS300N-D1(NTSC)

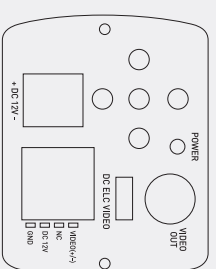
### Features

- 520 TV Lines of Horizontal Resolution
- 1/3" Super HAD CCD
- Day & Night Function (Digital)
- Low Illumination : 0.4 Lux(F1.0, Color Mode)
- White Balance : ATW / AWC(Push Auto White Balance)
- UTP Function
- Motion Detection
- Privacy Masking
- Multi OSD(Eng/Chi/Jpn/Kor)
- DC12V

### Specifications

Model	LS300N-D1	LS300P-D1
Signal System	NTSC	PAL
Total / Effective Pixels	410K/380K	470K/440K
Pick-Up Device	1/3" Super HAD CCD	C / CS Mount
Lens	Digital Signal Process	
Signal Process	2 : 1 Interlace	
Scanning System	Automatic Internal(59.94 Hz(V/D))	
Sync System	50 Hz(V/D)	
Scanning Frequency	More than 520 Line(H)	More than 520 Line(H)
Resolution	More than 50dB	2000Lux (3200°K)
S/N Ratio	0.4 Lux (F1.0)	
Standard Illuminance	ATW / AWC / DIP Mode Selection / Manual	
Sensitivity(1/3 output)	ON / OFF	
Video Output Signal	DA&NIGHT	
White Balance	ON / OFF	
Gain Control	ON / OFF	
Backlight Compensation	ON / OFF	
DA&NIGHT	COLOR/BW/AUTO	
Electronic Shutter Speed	*AUTO / FIXED(1/60sec - 1/100,000sec) / MANUAL(256 steps) / Flickerless*	*AUTO / FIXED(1/50sec - 1/100,000sec) / MANUAL(256 steps) / Flickerless*
Motion Detection	ON / OFF (64 Area)	ON / OFF (64 Area)
Privacy Mask	ON / OFF (4 Zone)	ON / OFF (4 Zone)
Mirror	ON / OFF	ON / OFF
Power Source	DC12V	
Power Consumption	Less than 180mA	
Operation Temp.	-10°C - 50°C (Humidity : 0%RH - 60%RH)	
Storage Temp.	-20°C - 60°C (Humidity : 0%RH - 85%RH)	
Weight	Approximately 330g	
Dimensions	55 (H) X 68 (W) X 121.7 (D)	

### Side & Rear View



# LVC-S60HP(PAL)/LVC-S60HM(NTSC)



### Features

- 480 TV lines of horizontal resolution
- Digital Signal Processing (DSP)
- 1/3" Super HAD CCD 410,000 pixels (NTSC), 470,000 pixels (PAL)
- High sensitivity with a minimum scene illumination of 0.4 lux (F1.0)
- BLC covers various light conditions
- White Balance : Auto /Manual
- Excellent Signal-to-noise ratio of 50dB
- Internal / External synchronization with Line-Lock
- Accept 3 types of auto iris lenses (DC /AES /Video)
- Auto polarity

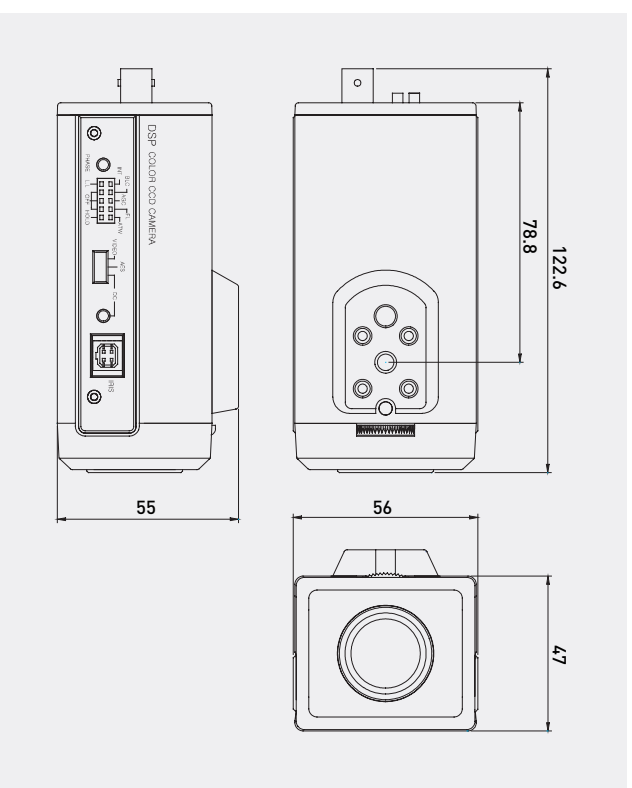
### Specifications

Model	LVC-S60HM	LVC-S60HP
Signal System	NTSC	PAL
Total/Effective Pixels	410K/380K Pixels	470K/440K Pixels
Pick-up Device	1/3" Interline Color CCD (Super HAD)	
Lens	C/CS Mount (Adapter Ring for C mount lens(optional))	
Iris Control	DC / AES / VIDEO	
Signal Process	Digital Signal Process	
Scanning System	2:1 Interlace	
Sync. System	Internal / Line Lock	
Scanning Frequency	59.94Hz(V/D)	50.00Hz(V/D)
Resolution	480 TV Lines	More Than 50dB
S/N Ratio	2000 Lux (5100 °K)	0.4 Lux (F1.0)
Standard Illumination	0.4 Lux (F1.0)	1 Vp-p Composite (75Ω)
Video Output Signal	On / Off	On / Off
Back Light	On (30dB) / Off (10dB)	On / Off
Gain Control	On / Off	ATW / HOLD
Flickerless	On / Off	Automatic control with DC Iris meter / Video Iris meter / Auto Electronic Shutter (Max. 1/1000000)
White Balance	ATW / HOLD	DC12V (Auto Polarity Sensing) / AC24V
Exposure		3.5W
Power Source		-10 °C - 50 °C (Humidity : 0%RH-60%RH)
Power Consumption		-20 °C - 60 °C (Humidity : 0%RH-85%RH)
Operation Temperature		300g
Storage Temperature		56 x 56 x 122.5mm
Weight		
Dimension(H x V x D)		

### Side & Rear View



### Dimension (unit : mm)



# LVC-S10HP(PAL)/LVC-S10HM(NTSC)



### Features

- 480 TV lines of horizontal resolution
- Digital Signal Processing (DSP)
- High sensitivity with a minimum scene illumination of 0.5 lux (F1.0)
- BLC covers various light conditions
- White Balance : Auto / Manual
- Excellent signal-to-noise ratio of 50dB
- Internal / External synchronization with line-lock
- Accept 3 types of auto iris lenses (Video/ELC/DC)
- On screen menus
- x2 Digital Zoom
- Motion detection
- Wide burst for long distance use
- Accept CS and C mount lenses without adaptor

### Specifications

Model	LVC-S10HM	LVC-S10HP
Signal System	NTSC	PAL
Total/Effective Pixels No.	410K/380K Pixels	470K/440K Pixels
Pick-up Device	1/3" Interline Color CCD(Super HAD)	
Lens	C/CS Mount	
Iris Control	VIDEO / ELC / DC	
Signal Process	Digital Signal Process	
Digital Zoom	x2	
Scanning System	2:1 Interlace	
Sync. System	Internal / External (VS/VD/Line Lock)	
Scanning Frequency	59.94Hz(V/D)	50Hz(V/D)
Resolution	480 TV Lines	More Than 50dB
S/N Ratio	2000 Lux (3200 °K)	0.5 Lux (30IRE,F1.0)
Standard Illumination	0.5 Lux (30IRE,F1.0)	1 Vp-p Composite (75Ω)
Video Output Signal	On / Off	On / Off
Back Light	On / Off	ATW / AWC / Push Auto
Gain Control	On / Off	Electronic Shutter(1/60-1/10000)
White Balance	ATW / AWC / Push Auto	Electronic Shutter(1/50-1/10000)
Electronic Exposure	8 Step with Flickerless(Normal 1/60)	8 Step with Flickerless(Normal 1/50)
Shutter Speed	Manual Up / Down	TTL Out (Low Active)
Brightness		On / Off
Motion Detection		Normal / Soft / Sharp
Wide Burst		DC12V / AC24V
Sharpness		3.5W
Power Source		-10 °C - 50 °C
Power Consumption		-20 °C - 60 °C
Operation Temperature		430g
Storage Temperature		58 x 66 x 136mm
Weight		
Dimension (H x V x D)		

### Side & Rear View



### Dimension (unit : mm)

